



Performance Under Pressure

PARTS LIST FOR
CWC-3008-2MGH

ENGINE OIL GRADE:	SAE10W-30
ENGINE OIL CAPACITY:	54 oz.
PUMP OIL GRADE:	Mi-T-M #AW-4085-0016
PUMP OIL CAPACITY:	31 oz.
PRESSURE NOZZLE:	9.0

This Parts Listing has been compiled for your benefit. You can be assured your Mi-T-M Cold Water Pressure Washer was constructed and designed with quality and performance in mind using over 25 years experience in the pressure washer business. Each component has been rigorously tested to insure the highest level of acceptance.

The contents of this Parts Listing are based on the latest product information available at the time of publication. Mi-T-M reserves the right to make changes in price, color, materials, equipment, specifications or models at any time without notice.

WARNING

THIS IS A PROFESSIONAL HIGH PRESSURE, COLD WATER PRESSURE WASHER. CAUTION SHOULD BE OBSERVED WHEN USING OR REPAIRING THIS UNIT! READ AND FOLLOW THE SAFETY WARNINGS LISTED BELOW BEFORE ATTEMPTING ANY REPAIRS ON THIS PRESSURE WASHER!

SAFETY WARNINGS

1. NEVER alter or modify the equipment. Be sure any accessory items and system components being used will withstand the pressure developed. Use only genuine Mi-T-M parts for repair of your pressure washer. Failure to do so can cause hazardous operating conditions and will VOID warranty.
2. NEVER make adjustments on machinery while the unit is connected to the power source. Turning over the machinery by hand during adjustment or cleaning might start the machinery, causing serious injury to the operator.
3. Know how to stop and bleed pressures quickly. Be thoroughly familiar with controls.
4. Before servicing the unit, turn unit off, relieve the water pressure and allow the unit to cool down. Do not make repairs while the unit is running. Service in a clean, dry, flat area.
5. After testing the machine, DO NOT leave the pressurized unit unattended. Shut off the unit and release trapped pressure before leaving.

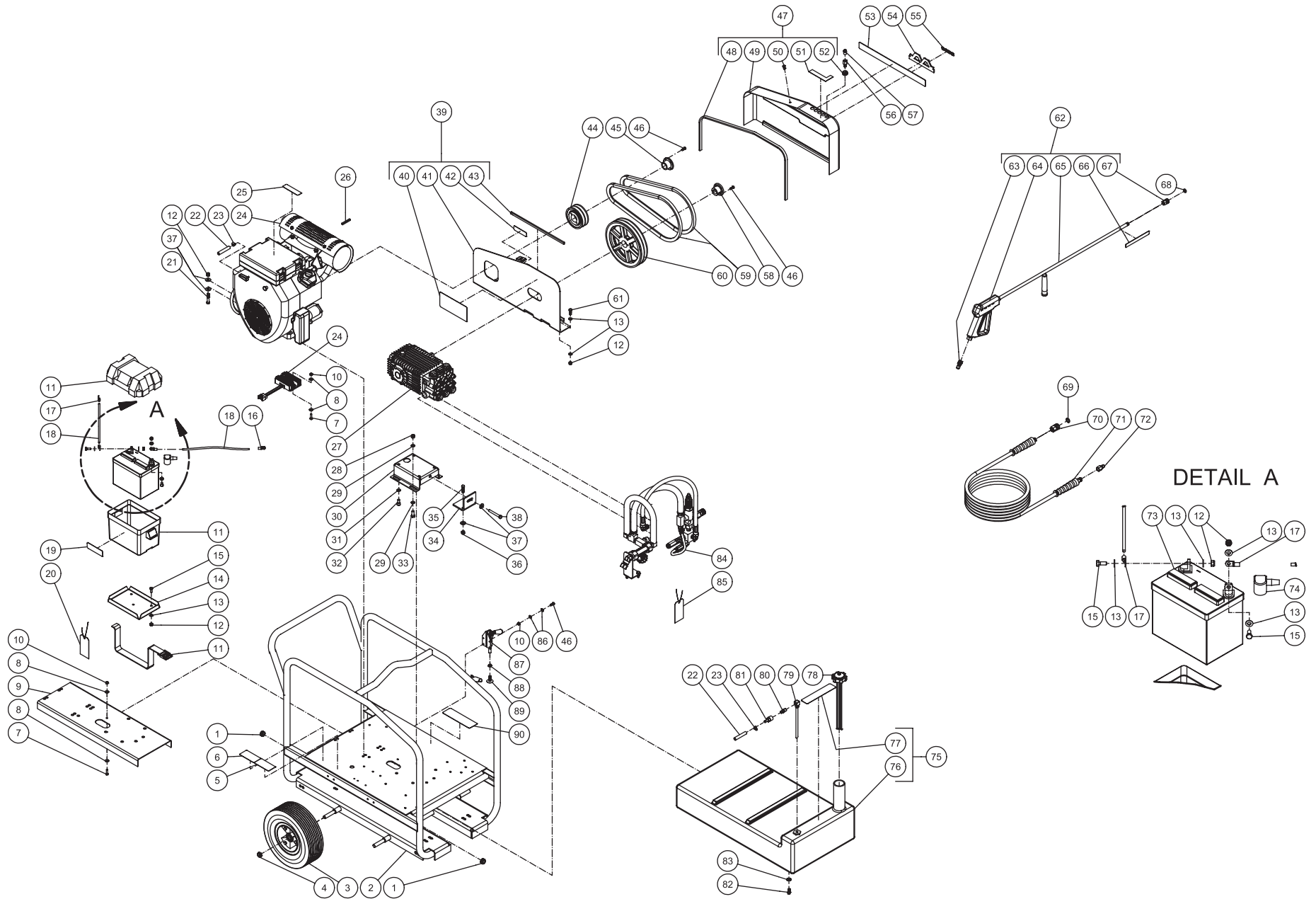
Table of Contents

SPECIFICATIONS.....	3
FRAME ASSEMBLY (CWC-3008-2MGH)	4
PLUMBING ASSEMBLY (CWC-3008-2MGH)	6
PUMP ASSEMBLY (3-0279)	8
UNLOADER ASSEMBLY (8-0032)	10
GUN ASSEMBLY (16-0001)	12
HONDA ENGINE ASSEMBLY (851-0357).....	14

SPECIFICATIONS

MODEL NUMBER	CWC-3008-2MGH
Operating Pressure (PSI/Bar):	3000/206.8
High Pressure Nozzle:	9.0
Water Volume (GPM/lpm):	7.8/29.5
Engine:	Honda
Horsepower	24.0
Engine Type	4 Stroke, Overhead Valve, V-Twin
Oil Type	SAE 10W-30
Oil Capacity (oz./liter)	54/1.6
Low Oil Protection	Oil Alert™
Fuel Type	Unleaded Gasoline 86 Octane Minimum
Fuel Capacity (gal./liter)	11.5/43.5
Starting	Electric Start
Maximum No Load RPM	3600 (+/- 100) RPM
Pump:	Belt Driven, Oil Bath, Triplex Piston
Oil Type	Mi-T-M Pump Oil #AW-4085-0016
Oil Capacity (oz./liters)	31/0.91
Plungers	Ceramic
Manifold	Forged Brass
Valves	Stainless Steel
Unloader	Pre-set
Thermal Relief Valve	Relieves heated water during unloader bypass stage
Unit Net Weight (lbs/Kg)	388/176
Unit Shipping Weight (lbs/Kg)	511/231.5
Unit Net Dimension (in/cm)	43Lx27.75Wx36H/109Lx70Wx91.5H
Unit Shipping Dimension (in/cm)	46.5Lx31.5Wx48.5H/118Lx80Wx123H

FRAME ASSEMBLY (CWC-3008-2MGH)



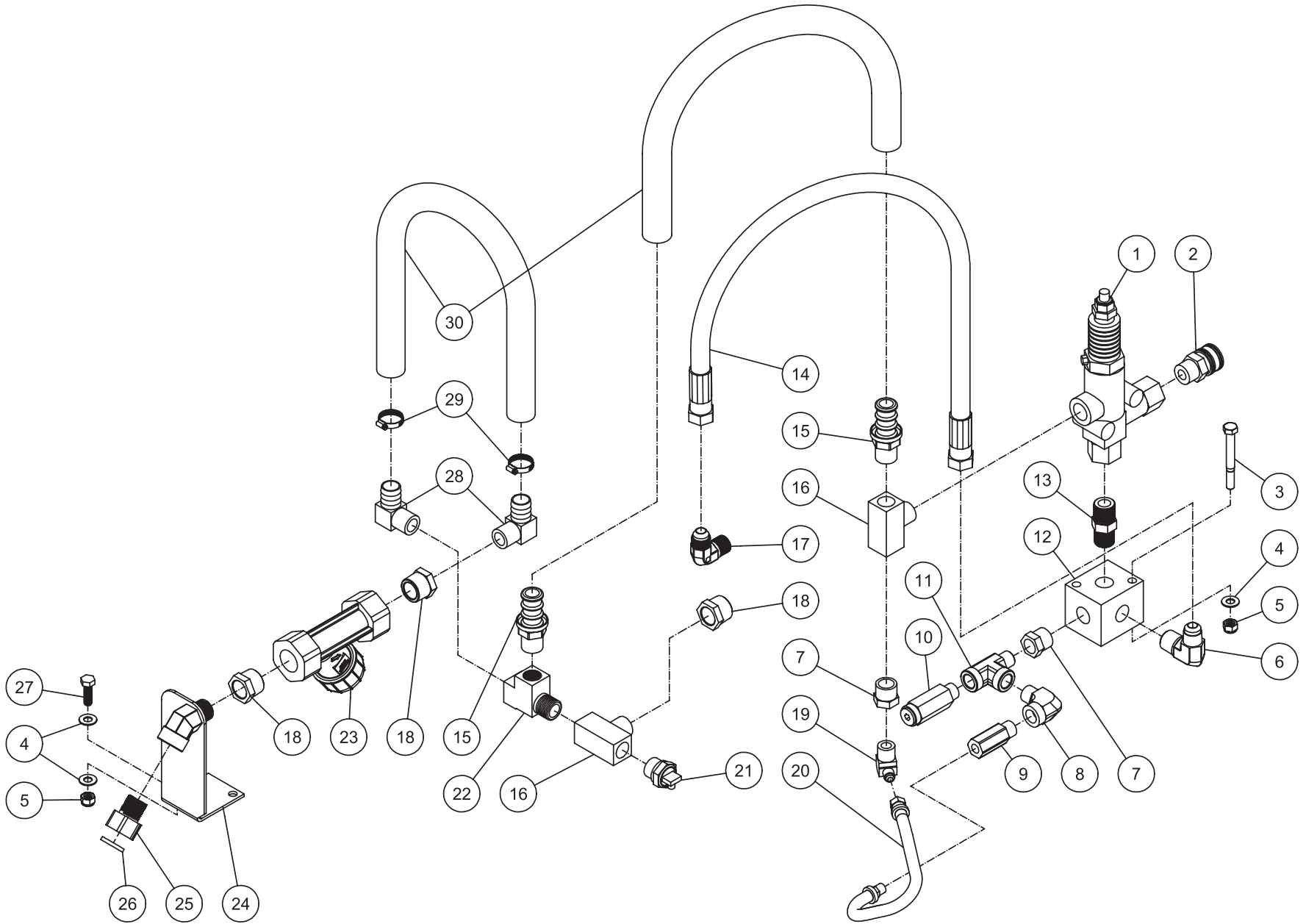
CWC-3008-2MGH-051906-JJT

FRAME ASSEMBLY (CWC-3008-2MGH)

REF. #	DESCRIPTION	PART #	QTY.	REF. #	DESCRIPTION	PART #	QTY.	REF. #	DESCRIPTION	PART #	QTY.
1	Grommet	33-0002	2	32	Bolt	27-8471	4	61	Bolt	27-0067	4
2	Frame Assembly	5-0136A42	1	33	Bolt	27-0167	4	62	Gun/Lance Assembly (Inc. 63-67)	851-0309	1
3	Wheel	14-0092	4	34	Brace Tightener	13-0003A01	1	63	Quick Connect Plug	17-0005	1
4	Jamnut	30-0117	4	35	Bolt	27-0118	2	64	Gun	16-0001	1
5	Decal- Data Plate	N/A	1	36	Locknut	30-0159	6	65	Wand w/Handle	16-0418	1
6	Decal- California Emission	34-1817	1	37	Washer	28-0023	11	66	Decal- Warning: Risk of Injection (See 34-9017)	N/A Sep.	1
7	Bolt	27-0016	3	38	Bolt	27-0576	1	67	Quick Connect Socket	17-0036	1
8	Washer	28-0021	6	39	Beltguard Back Assembly (Inc. 40-43)	851-0310	1	68	O-ring (Replacement Only)	25-0122	1
9	Support Bracket	13-0120A01	1	40	Decal- Warning/Caution (See 34-9017)	N/A Sep.	1	69	O-ring (Replacement Only)	25-0123	1
10	Nut	30-0155	5	41	Beltguard Back (See 851-0310)	N/A Sep.	1	70	Quick Connect Socket	17-0041	1
11	Battery Box	33-0092	1	42	Decal- Warning: Beltguard (See 34-9017)	N/A Sep.	1	71	Hose	15-0056	1
12	Locknut	30-0157	8	43	Edging *(Two Feet Required)	33-0020	1	72	Quick Connect Plug	17-0006	1
13	Washer	28-0003	14	44	Sheave	10-0043	1	73	Battery	32-0058	1
14	Battery Retainer	20-0264A01	1	45	Bushing	9-0010	1	74	Battery Cable Cover	33-0004	1
15	Bolt	27-0066	4	46	Bolt	27-0015	6	75	Fuel Tank Assembly (Inc. 76-77)	851-0319	1
16	Terminal Ring	32-0744	1	47	Beltguard Cover Assembly (Inc. 48-52)	851-0348	1	76	Fuel Tank (See 851-0319)	N/A Sep.	1
17	Terminal Ring	32-0097	3	48	Edging *(Four Feet Required)	33-0020	1	77	Decal- Caution: Risk of Fire (See 34-9017)	N/A Sep.	1
18	Battery Cable *(Four Feet Required) Pos.=22"	32-0065	1	49	Beltguard Cover (See 851-0348)	N/A Sep.	1	78	Fuel Cap w/Gauge	12-0061	1
-	Battery Cable *(Four Feet Required) Neg.=16"	32-0065	1	50	Fastener	33-0197	1	79	Fuel Pickup	33-0271	1
19	Decal- Caution: Risk of Injury (See 34-9017)	N/A Sep.	1	51	Decal- Nozzles 0, 15, 25, 40	34-0500	1	80	Quick Connect Plug	17-0038	1
20	Tag- Important Battery	34-0096	1	52	Grommet	33-0001	5	81	Quick Connect Socket	17-0018	1
21	Bolt	27-0121	4	53	Decal-Mi-T-M Stripe Large	34-0501	1	82	Bolt	27-9524	4
22	Fuel Line *(Three Feet Required)	15-0008	1	54	Mi-TM Logo	62-0086	1	83	Washer	28-0022	4
23	Hose Clamp	42-0004	2	55	Decal-White Die Cut 3008	N/A	1	84	Plumbing Assembly (See Exploded Drawing)	N/A Sep.	1
24	Motor Assembly	851-0357	1	56	Quick Connect Plug	17-0017	4	85	Tag- Water Supply Inlet	34-0097	1
25	Decal- Warning: Risk of Burns (See 34-9017)	N/A Sep.	1	57	Spray Nozzle-0009	18-0172	1	86	Washer	28-0002	4
26	Key	43-0078	1	-	Spray Nozzle-1509	18-0147	1	87	Push/Pull Toggle Clamp	33-0400	1
27	Pump	3-0279	1	-	Spray Nozzle-2509	18-0173	1	88	Hex Nut	30-0004	1
28	Locknut	30-0161	4	-	Spray Nozzle-4009	18-0174	1	89	Elevator Bolt	27-9550	1
29	Washer	28-0030	8	58	Bushing	9-0017	1	90	Decal- Operation (See 34-9017)	N/A Sep.	1
30	Pump Bracket	5-0101A01	1	59	Belt	11-0054	2		Safety Decal Kit (Inc. 19, 25, 40, 42, 66, 77, 90)	34-9017	
31	Washer	29-0055	4	60	Sheave	10-0037	1				

*Must Order in One Foot Lengths

PLUMBING ASSEMBLY (CWC-3008-2MGH)



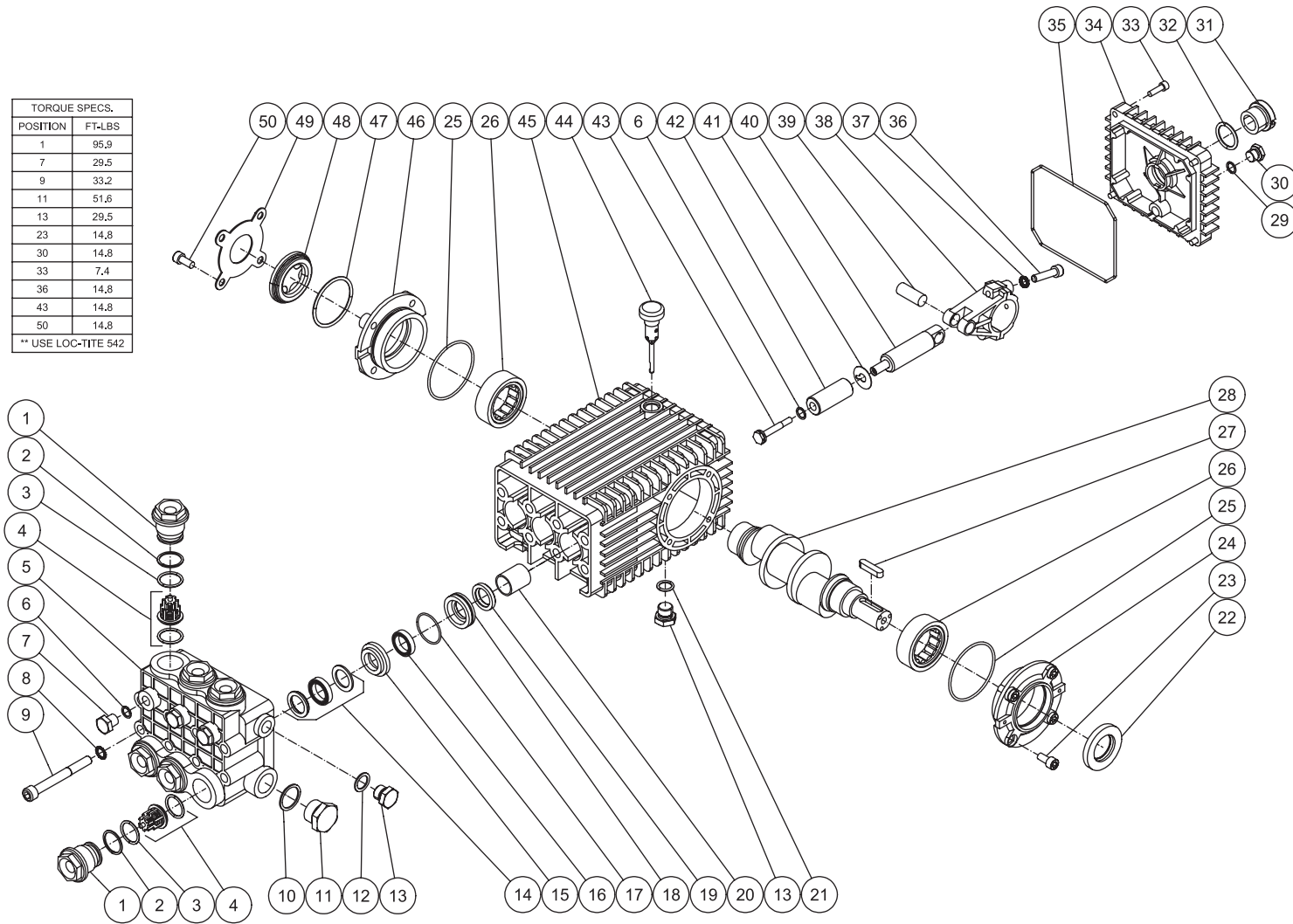
851-0365-080106-JJT

PLUMBING ASSEMBLY (CWC-3008-2MGH)							
REF. #	DESCRIPTION	PART #	QTY.	REF. #	DESCRIPTION	PART #	QTY.
1	Unloader Valve	8-0032	1	16	Tee	23-0235	2
2	Quick Connect Socket	170029	1	17	Elbow	24-0092	1
3	Bolt	27-0074	2	18	Bushing	23-0023	3
4	Washer	28-0003	6	19	Elbow	23-0324	1
5	Locknut	30-0157	4	20	Hose	15-0140	1
6	Elbow	24-0074	1	21	Thermal Relief Valve	22-0005	1
7	Bushing	23-0016	2	22	Street Tee	23-0124	1
8	Elbow	24-0105	1	23	Inlet Filter	19-0238	1
9	Easy Start Valve	22-0242	1	24	Inlet Bracket	20-0428A01	1
10	Safety Valve	22-0376	1	25	Garden Hose Swivel	23-0095	1
11	Street Tee	23-0058	1	26	Garden Hose Gasket	26-0001	1
12	Manifold Block	51-0034	1	27	Bolt	27-0067	2
13	Nipple	24-0031	1	28	Elbow	23-0037	2
14	High Pressure Hose Assembly	15-0221	1	29	Hose Clamp	42-0003	2
15	Hose Barb	23-0007	2	30	Hose	15-0035	2

PUMP ASSEMBLY (3-0279)

TORQUE SPECS.	
POSITION	FT-LBS
1	95.9
7	29.5
9	33.2
11	51.6
13	29.5
23	14.8
30	14.8
33	7.4
36	14.8
43	14.8
50	14.8

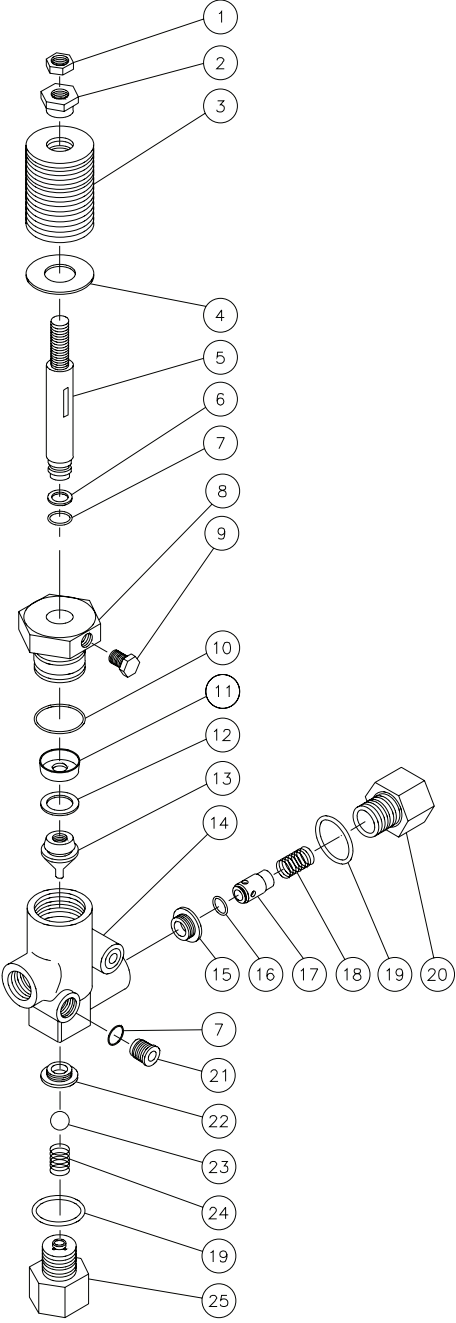
** USE LOC-TITE 542



3-0279-062706-CAW

PUMP ASSEMBLY (3-0279)							
REF. #	DESCRIPTION	PART #	QTY.	REF. #	DESCRIPTION	PART #	QTY.
1	Valve Cap	46-1222	6	28	Crankshaft	46-1210	1
2	Backup Ring	25-0592	6	29	O-ring	25-0014	1
3	O-ring	25-0139	6	30	Plug	39-0017	1
4	Valve Assembly (See 70-0439)	N/A Sep.	6	31	Sight Glass	46-1163	1
5	Manifold	46-1220	1	32	O-ring	25-0059	1
6	O-ring	25-0310	6	33	Bolt	27-8812	4
7	Plug	39-0222	3	34	Crankcase Cover	46-1212	1
8	Lockwasher	29-0155	8	35	O-ring	25-0339	1
9	Bolt	27-9595	8	36	Bolt	27-8435	6
10	Gasket	28-1051	1	37	Lockwasher	29-1014	6
11	Plug	39-0221	1	38	Connecting Rod	46-1211	3
12	Washer	28-1002	1	39	Connecting Rod Pin	43-0118	3
13	Plug	29-0018	2	40	Piston Rod	46-1213	3
14	High Pressure Seal Assembly (See 70-0440 or 70-0441)	N/A Sep.	3	41	Slinger Washer	46-1214	3
15	High Pressure Intermediate Ring (See 70-0441)	N/A Sep.	3	42	Plunger	46-1221	3
16	Low Pressure Seal Assembly (See 70-0440 or 70-0441)	N/A Sep.	3	43	Piston	46-1216	3
17	O-ring	25-0015	3	44	Oil Dipstick	46-0144	1
18	Low Pressure Seal Retainer (See 70-0441)	N/A Sep.	3	45	Crankcase	46-1209	1
19	Oil Seal	26-0047	3	46	Crankcase Sight Glass Cover	46-1208	1
20	Bushing	9-0029	3	47	O-ring	25-0060	1
21	O-ring	25-0052	1	48	Oil Level Indicator	46-0574	1
22	Oil Seal	26-0049	1	49	Sight Glass Cover	46-1207	1
23	Bolt	27-8431	4	50	Bolt	27-8433	4
24	Crankcase Cover	46-1217	1		Oil Seal Kit (Inc. 3 each 19)	70-0432	
25	O-ring	25-0590	2		Valve Kit (Inc. 6 each 4)	70-0439	
26	Bearing	48-0085	2		Low/High Pressure Seal Kit (Inc. 3 each 14, 16)	70-0440	
27	Key	46-0602	1		Packing Kit (Inc. 14-18)	70-0441	

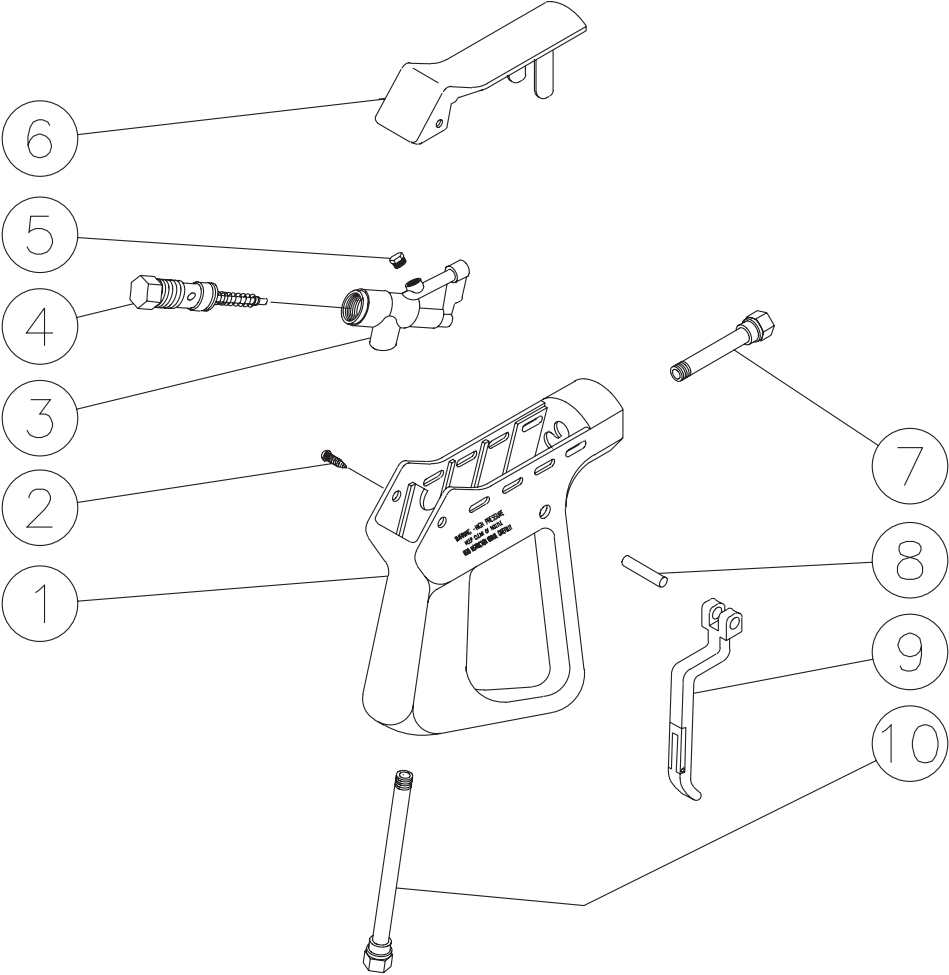
UNLOADER ASSEMBLY (8-0032)



OMGEN074-083004-BAR

UNLOADER ASSEMBLY (8-0032)			
REF.#	DESCRIPTION	PART #	QTY.
1	Locknut	30-3058	1
2	Adjusting Nut	8-0089	1
3	Spring Washers - Orange	8-0009	15
4	Washer	28-0250	1
5	Valve Stem	8-0037	1
6	Backup Ring	8-0038	1
7	O-ring	25-0009	5
8	Valve Cap	8-0036	1
9	Set Screw	8-0084	1
10	O-ring	25-0008	1
11	Cup	8-0034	1
12	Back-up Ring	8-0040	1
13	Piston	8-0039	1
14	Valve Body	8-0164	1
15	Outlet Seat	8-0006	1
16	O-ring	25-0011	1
17	Outlet Valve	8-0004	1
18	Spring	49-0016	1
19	O-ring	25-0010	2
20	Outlet Retainer	8-0003	1
21	Brass Plug	8-0011	4
22	Valve Seat	8-0005	1
23	Ball	8-0041	1
24	Spring	49-0015	1
25	Inlet Retainer	8-0165	1
	Unloader Repair Kit (Inc. 6, 7, 10-12, 16 and 19)	70-0044	

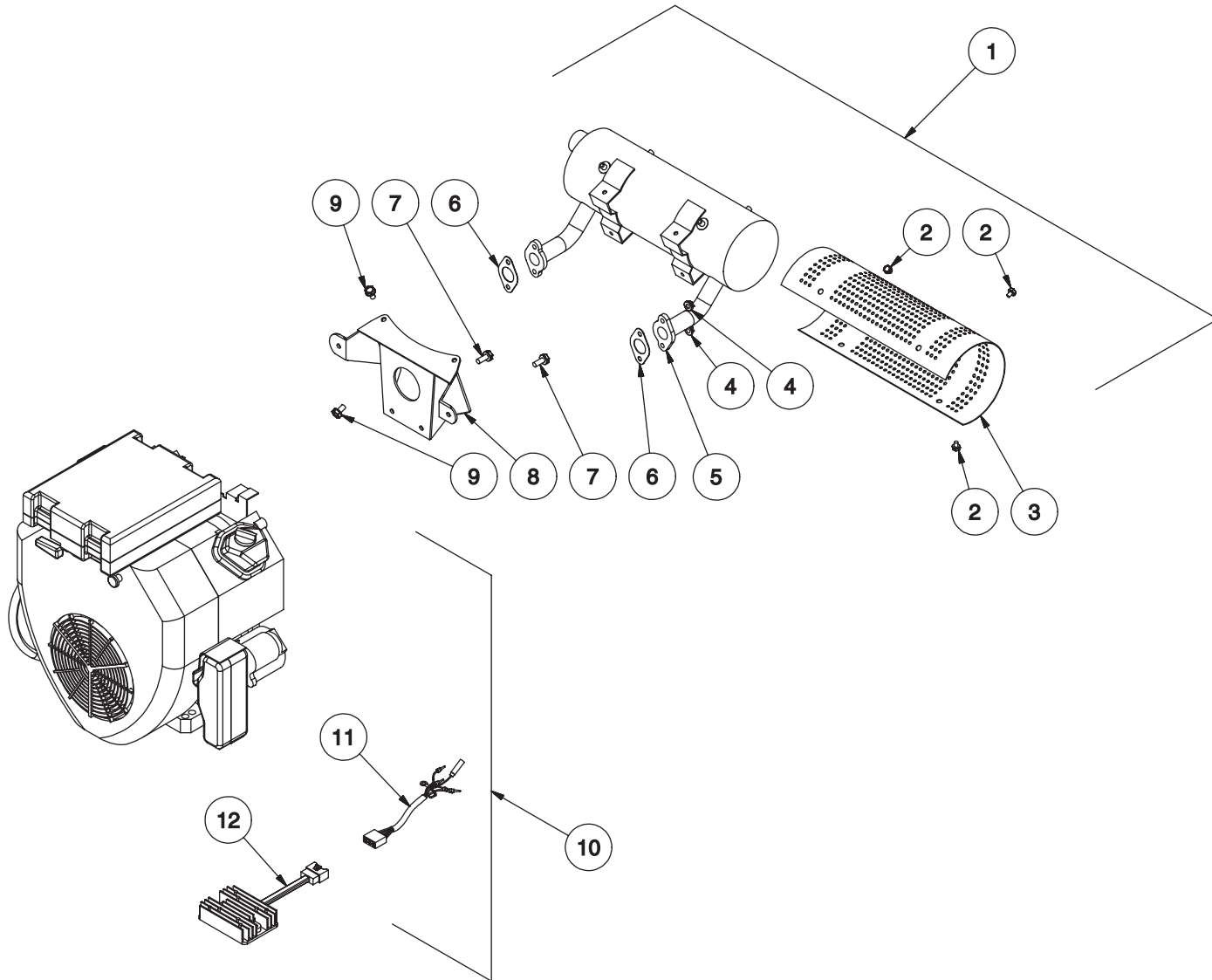
GUN ASSEMBLY (16-0001)



16-0001-110399-RD

GUN ASSEMBLY (16-0001)			
REF. #	DESCRIPTION	PART #	QTY.
1	Plastic Housing	16-0008	1
2	Screw	27-3230	2
3	Brass Housing	16-0012	1
4	Gun Repair Kit	70-0055	1
5	Brass Plug	39-0024	1
6	Plastic Cover	16-0009	1
7	Pipe Assembly	16-0013	1
8	Trigger Pin	16-0063	1
9	Trigger/Safety Lock-off	16-0010	1
10	Pipe Assembly- Inlet	16-0016	1
	Complete Gun Assembly	16-0001	1

HONDA ENGINE ASSEMBLY (851-0357)



851-0357-060705-JJT

HONDA ENGINE ASSEMBLY (851-0357)			
REF. #	DESCRIPTION	PART #	QTY.
1	Muffler Assembly (Inc. 2, 3, 5, 7-9)	45-0109	1
2	Flange Nut (See 45-0109)	N/A Sep.	6
3	Muffler Protector (See 45-0109)	N/A Sep.	1
4	Flange Nut (See 1-0160)	N/A Sep.	4
5	High Mount Muffler (See 45-0109)	N/A Sep.	1
6	Exhaust Gasket (See 1-0160)	N/A Sep.	2
7	Flange Bolt (See 45-0109)	N/A Sep.	4
8	Muffler Stay (See 45-0109)	N/A Sep.	1
9	Flange Bolt (See 45-0109)	N/A Sep.	4
10	Engine- 24 HP Honda (Inc. 4, 6, 11, 12)	1-0160	1
11	Wire Harness (See 1-0160)	N/A Sep.	1
12	Voltage Rectifier Assembly (See 1-0160)	N/A Sep.	1

Manufactured by Mi-T-M
8650 Enterprise Drive, Peosta IA 52068
563-556-7484/ Fax 563-556-1235